

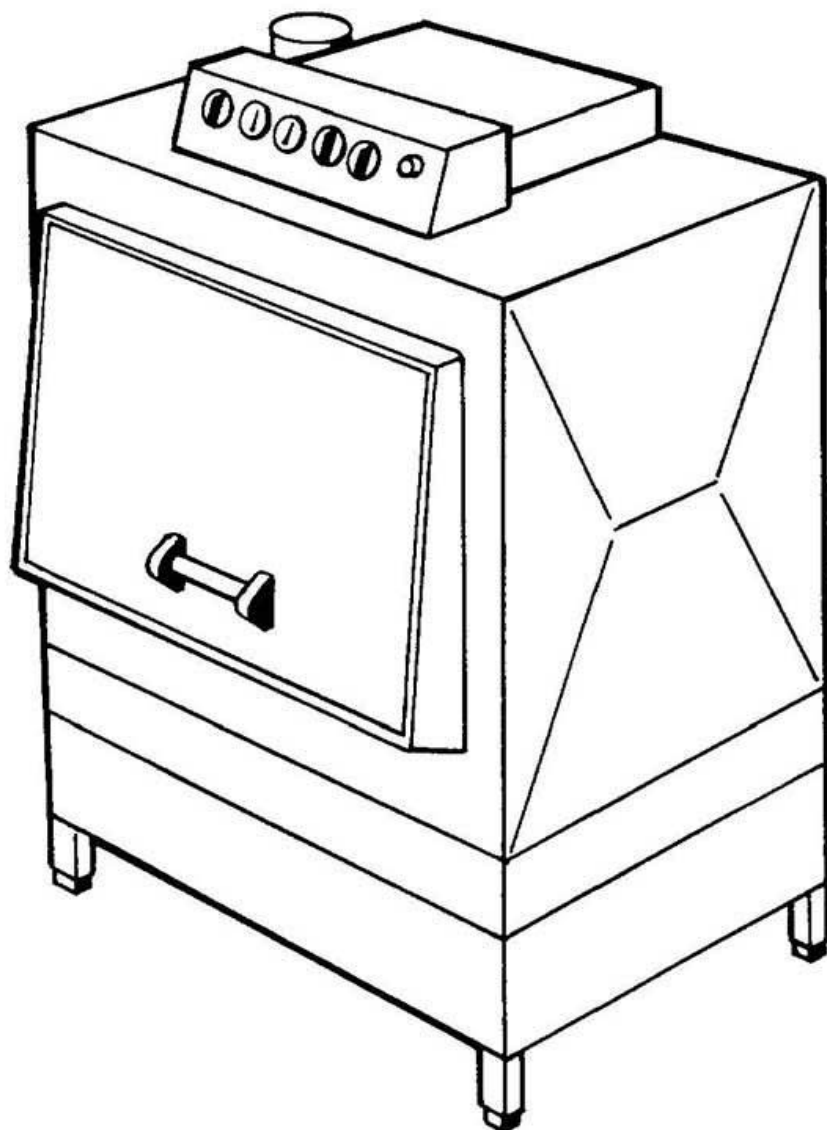
winterhalter

Spare Parts List

GS 62 / 63 / 64 / 65

Revised 03/05

Part no. 89001296



Summary

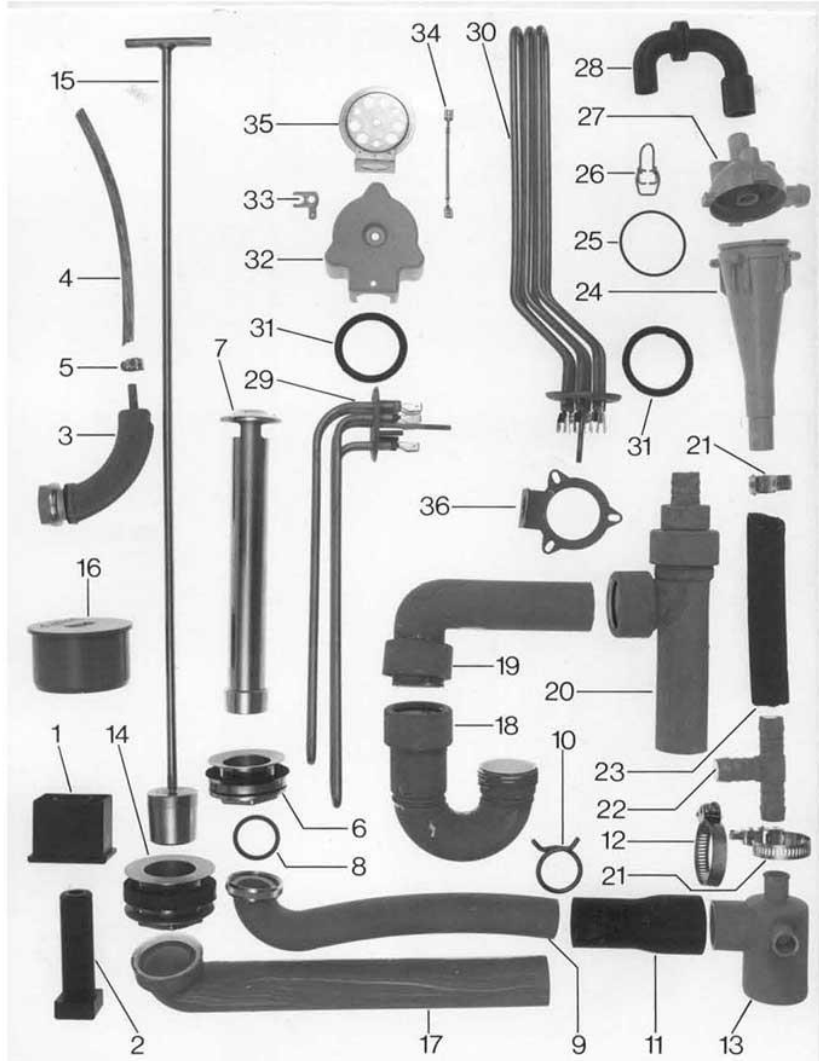
Base frame, water drain,	
Mediamat, tank heating	Page 1 and 2
Water supply and inlet I	Page 3 and 4
Water supply and inlet II	Page 5 and 6
Wash system I	Page 7 and 8
Wash system II	Page 9 and 10
Rinse system	Page 11 and 12
Door, frame and rails	Page 13 and 14
Electrical parts	Page 15 and 16

Racks and accessories see separate list.

Parts that have the note " Part made to order only!" are not in stock. This parts are made specially for your order and have a delivery time. They are not returnable.

GS 62 / 63 / 64 / 65

Untergestell, Wasserablauf, Mediamat, Tankheizung
Base frame, water drain, Mediamat, tank heating
Châssis, écoulement, Médiamat, chauffage de la cuve

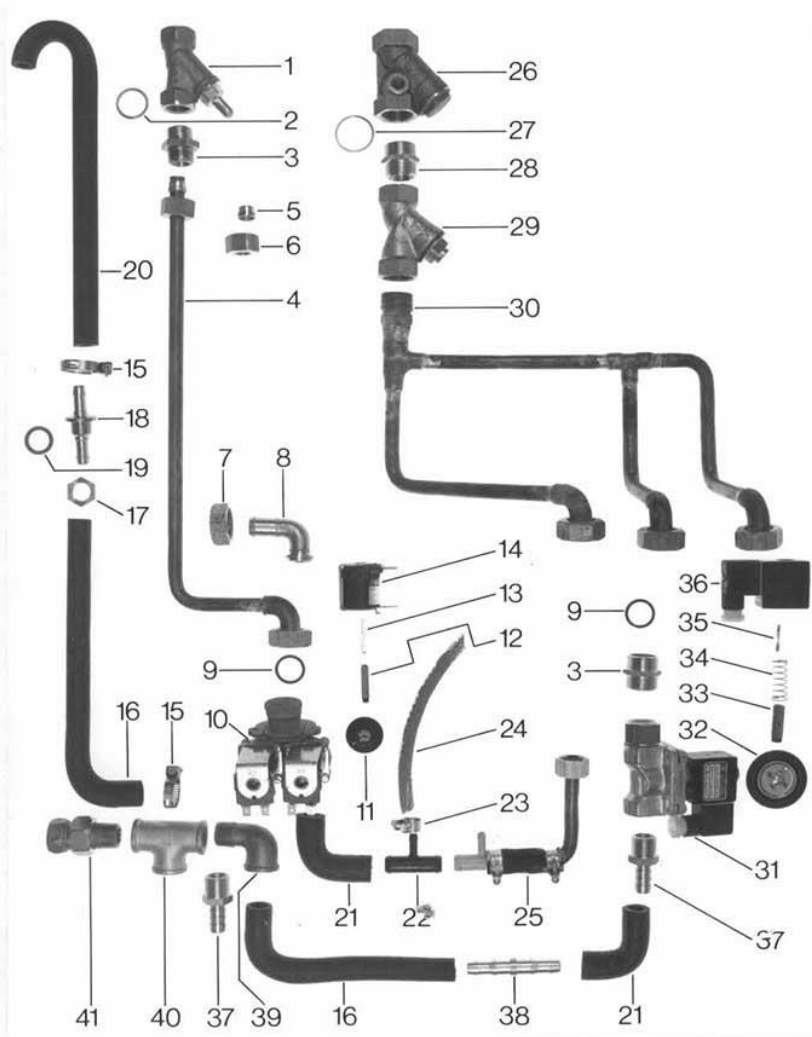


GS 62 / 63 / 64 / 65
Base frame, water drain, Mediamat, tank heating

Pos.	Designation	Part no.	62	63	64	65	Notes
1	Threaded insert 42 x 62	35 01 063	x	x	x	x	
2	Foot 3/4" BSP	35 01 064	x	x	x	x	
n.p.	Lateral panel	55 03 049	x				Part made to order only!
n.p.	Front panel	55 03 042	x				Part made to order only!
n.p.	Lateral panel right	55 03 052		x			Part made to order only!
n.p.	Lateral panel left	55 03 063		x			Part made to order only!
n.p.	Lateral panel	55 03 059			x		Part made to order only!
n.p.	Lateral panel	55 03 060				x	Part made to order only!
n.p.	Front panel	55 03 045		x			Part made to order only!
n.p.	Front panel	55 03 061			x		Part made to order only!
n.p.	Front panel	55 03 062				x	Part made to order only!
3	Air chamber	55 04 024	x	x	x		
4	Plastic hose NW 5 x 3	40 01 024	x	x	x	x	
5	Hose clip S 9/9	28 02 348	x	x	x	x	
6	Standpipe bottom part 1 1/4" BSP	29 04 202	x				
n.p.	Seal	29 04 253	x				
7	Standpipe top part 205	29 04 258	x				
8	Seal 38 x 30	27 09 031	x				
9	Siphon	55 05 049	x				
10	Hose clip 35-37	28 02 111	x				
11	Reduction hose piece	40 03 024	x				
12	Hose clip 32-52	28 02 110	x				
13	Mediamat drain	35 01 080	x				
14	Standpipe bottom part 1 1/2" BSP	29 04 212		x	x	x	
15	Drain plug	55 27 020		x	x	x	
n.p.	Standpipe top part 280	29 04 211		x	x		old execution
16	Locking cap	30 15 504		x	x	x	
17	Drain elbow 1 1/2" BSP	29 04 502		x	x	x	
18	Siphon bag	29 04 500		x	x	x	
19	Siphon elbow	29 04 501		x	x	x	
20	Plastic kit 1" BSP	30 15 500		x	x	x	
21	Hose clip 20-30	28 02 109	x	x	x	x	
22	Hose connection socket	29 06 512				x	
23	Fabric hose 19 x 4	40 01 016	x	x	x	x	
24	Accelerator	35 01 035	x	x	x	x	
25	O-ring 51 x 3,0	27 07 043	x	x	x	x	from 10/87
26	Spring lock ø 2,0	28 04 041	x	x	x	x	
27	Head piece	35 01 124	x	x	x	x	
28	Mediamat inlet	55 31 001	x	x	x	x	
29	Heating element 220/380 V 6 kW	31 03 025	x	x	x		
n.p.	Heating element 240/420 V 6 kW	31 03 042	x	x	x		
30	Heating element 220/380 V 9 kW	31 03 018				x	
n.p.	Heating element 254/440 V 9 kW	31 03 056				x	
31	O-ring	27 07 069	x	x	x	x	
32	Covering cap	31 03 014	x	x	x	x	
33	Earth plug	31 12 034	x	x	x		
34	Star bridge	31 23 088	x	x	x	x	
35	Tank heating flange	31 03 067	x	x	x		
36	Clamping ring with angle	55 19 018	x	x	x	x	
n.p.	Air chamber cover	55 04 025				x	Part made to order only!
n.p.	Insert for Mediamat black	35 01 123	x				
n.p.	Lever yellow	29 03 241					until 87, NEW 29 03 245 red
n.p.	Shaft	29 03 243					NEW 29 03 244
n.p.	Ball valve cpl. with lever	29 03 204					as from 1980

GS 62 / 63 / 64 / 65

Wassenzulauf und Wassereinlauf I
Water feed and water inlet I
Alimentation d'eau et arrivé d'eau I

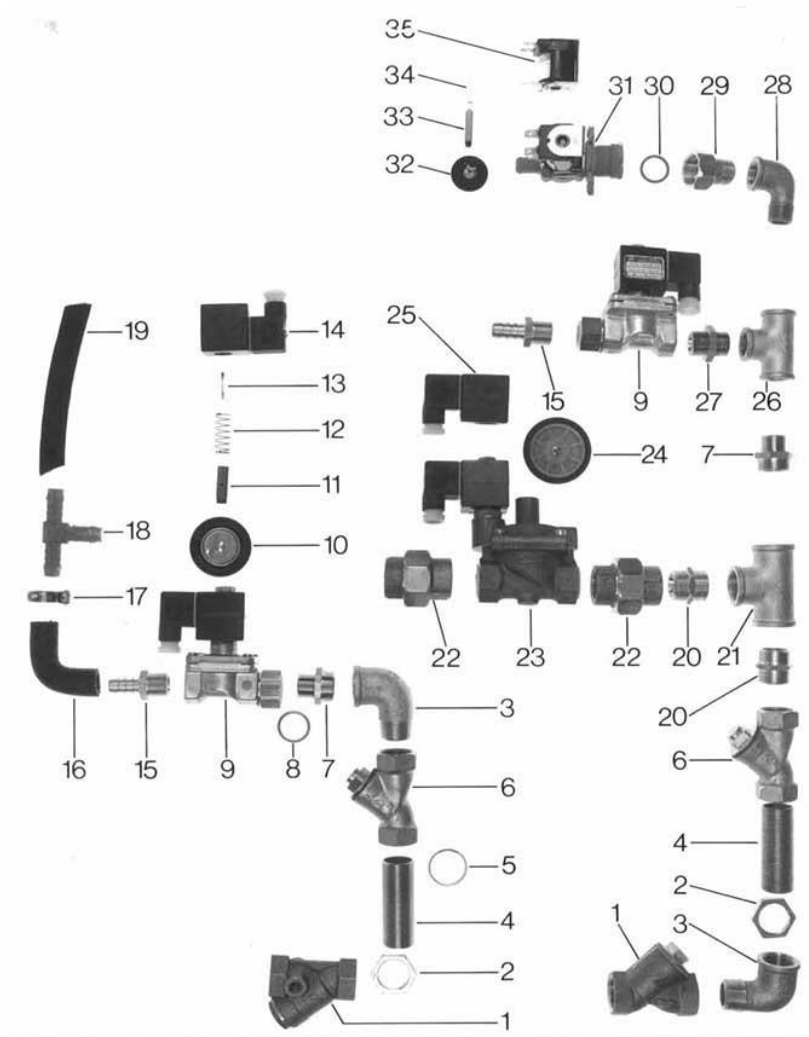


GS 62 / 63 / 64 / 65 Water supply and inlet I

Pos.	Designation	Part no.	62	63	64	65	Notes
1	Non return valve 1/2" BSP	29 03 230	x				
2	Seal	27 04 006	x				
3	Double nipple 1/2"	70000459	x	x	x	x	
4	Water inlet	55 28 231	x				
5	Cutting ring ø 12	29 07 300	x	x	x		
6	Coupling nut 1/2" BSP	29 07 201	x	x	x		
7	Coupling nut 3/4" BSP	29 07 203	x	x	x	x	
8	Connection elbow		x	x	x		no more available
9	Seal 19,5 x 24	27 09 010	x	x	x	x	
10	Double solenoid valve	31 06 182	x				
n.p.	Plastic bottom part						no more available replaced by pos. 10
11	Diaphragm		x			x	
12	Plunger		x			x	
13	Spring		x			x	
14	Magnetic coil 220-240 V 50-60 Hz		x			x	
15	Hose clip 14-22	28 02 301	x	x	x	x	
16	Inlet hose	40 03 003	x	x	x	x	
17	Locking nut 3/8" BSP	30 09 200	x	x	x	x	
18	Double hose nipple 3/8" BSP	29 06 211	x	x	x	x	
19	Seal 24 x 17	27 09 009	x	x	x	x	
20	Tank inlet	40 03 015	x	x	x	x	cut if necessary
21	Hose elbow	40 03 001	x	x	x		
22	T-piece black	35 01 086	x	x	x		
23	Hose clip S 11/9	28 02 348	x	x	x	x	
24	Fabric hose 5x3	40 01 024	x	x	x	x	
25	Boiler inlet elbow	55 09 041		x			from 11/87
n.p.	Boiler inlet elbow	65002244		x			until 11/87
n.p.	Boiler inlet elbow	55 09 011	x				until 11/71
n.p.	Boiler inlet elbow	55 09 054	x				from 11/87
26	Non return valve 3/4" BSP	29 03 233		x	x	x	
27	Seal 32 x 27	27 04 007		x	x	x	
28	Double nipple 3/4" x 3/4" BSP	30 11 207		x	x	x	
29	Dirt trap 3/4" BSP	28 07 101		x	x	x	
30	Water inlet triple	55 28 189		x	x		
31	Solenoid valve 1/2" BSP	31 06 036		x	x	x	
32	Diaphragm with plunger	31 06 064		x	x	x	
33	Plunger	31 06 065		x	x	x	
34	Spring large	31 06 066		x	x	x	
35	Spring small	31 06 067		x	x	x	
36	Coil	31 06 069		x	x	x	
37	Hose clip 1/2" x 1/2" BSP	29 06 217		x	x	x	
38	Hose nipple straight ø 13	29 06 216		x	x	x	
39	Angle N 92, 1/2" BSP	30 02 301		x	x	x	
40	T-piece 1/2" BSP	30 04 100		x	x	x	
41	Pipe screwing 1/2" BSP	30 03 102		x	x		
n.p.	Dispenser ELT 20	55 28 278	x	x	x	x	

GS 62 / 63 / 64 / 65

Wasserzulauf und Wassereinlauf II
Water feed and water inlet II
Alimentation d'eau et arrivé d'eau II

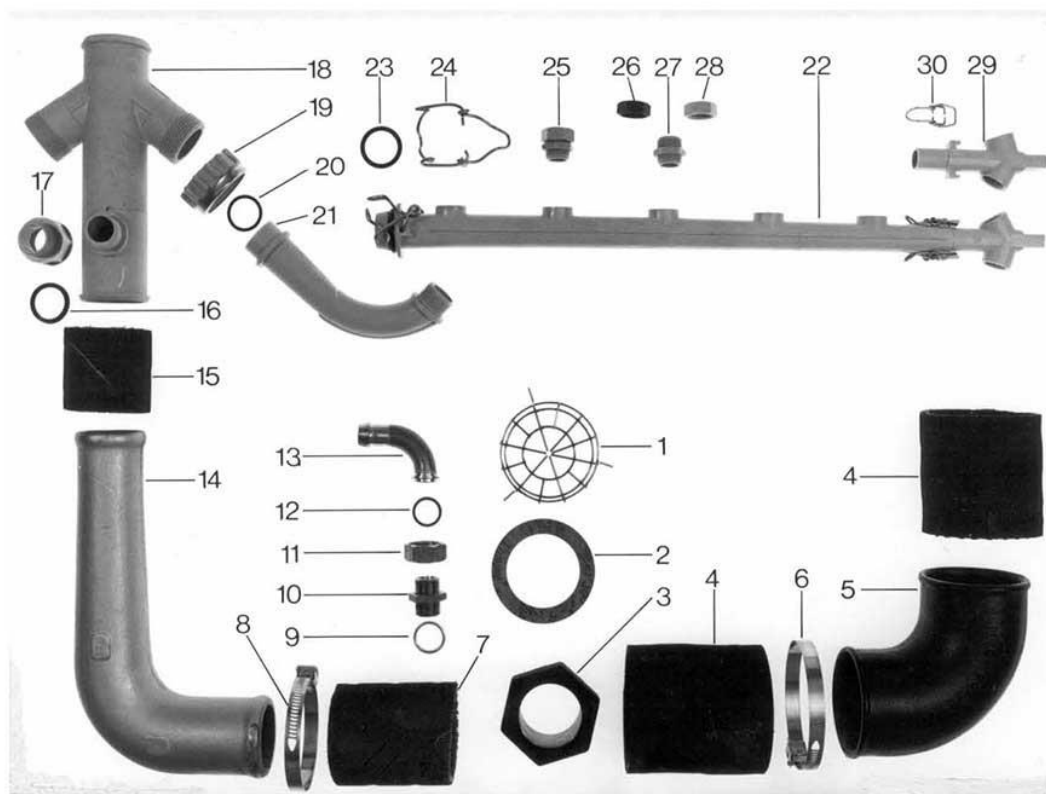


GS 62 / 63 / 64 / 65
Water supply and inlet

Pos.	Designation	Part no.	62	63	64	65	Notes
1	Non return valve 1/2" BSP	29 03 230		x	x	x	
2	Locking nut 3/4" BSP	61002626		x	x	x	
3	Angle no. 92, 3/4" BSP	30 02 102		x	x	x	
4	Simple nipple 3/4" BSP	30 12 200				x	Part made to order only!
5	Copper asbestos ring ø 32 x 27	27 04 007		x	x	x	
6	Dirt trap 3/4" BSP	28 07 101		x	x	x	
7	Reduction nipple 3/4" x 1/2" BSP	61003430		x	x	x	
8	Copper asbestos ring ø 27 x 21	27 04 006	x	x	x	x	
9	Solenoid valve 1/2" BSP	31 06 036		x	x	x	
10	Diaphragm	31 06 064		x	x	x	
11	Plunger	31 06 065		x	x	x	
12	Spring large	31 06 066		x	x	x	
13	Spring small	31 06 067		x	x	x	
14	Coil	31 06 069		x	x	x	
15	Hose clip 1/2" x 1/2" BSP	29 06 217		x	x	x	
16	Shaped hose ø 14	40 03 001	x	x	x	x	
17	Hose clip 14-22	28 02 301	x	x	x	x	
18	Hose connection piece TS 13	29 06 508				x	
19	Reinforced hose 13 x 3,5	40 02 029	x	x	x	x	per meter
20	Double nipple 3/4" x 3/4" BSP	30 11 207		x	x	x	
21	T-piece 3/4"	30 04 103		x	x	x	
22	Pipe screwing 3/4"	30 03 104				x	
23	Solenoid valve 3/4"	31 06 089				x	
n.p.	Repair kit	31 06 115				x	for 31 06 089
n.p.	Coil	31 06 083				x	
24	Diaphragm	31 06 061				x	for 31 06 089
26	T-piece 1/2" BSP	30 04 100		x	x	x	
27	Double nipple 1/2" BSP x 30 mm	70000459	x	x	x	x	
28	Angle no. 92, 1/2" BSP	30 02 301		x	x	x	
29	Screwing	30 03 111				x	
30	Seal 19,5 x 2,4	27 09 010	x	x	x	x	
31	Solenoid valve	31 06 180	x			x	no more available replaced by pos. 31
32	Diaphragm		x			x	
33	Plunger		x			x	
34	Spring		x			x	
35	Coil		x			x	

GS 62 / 63 / 64 / 65

Waschsystem I
Wash system I
Système de lavage I

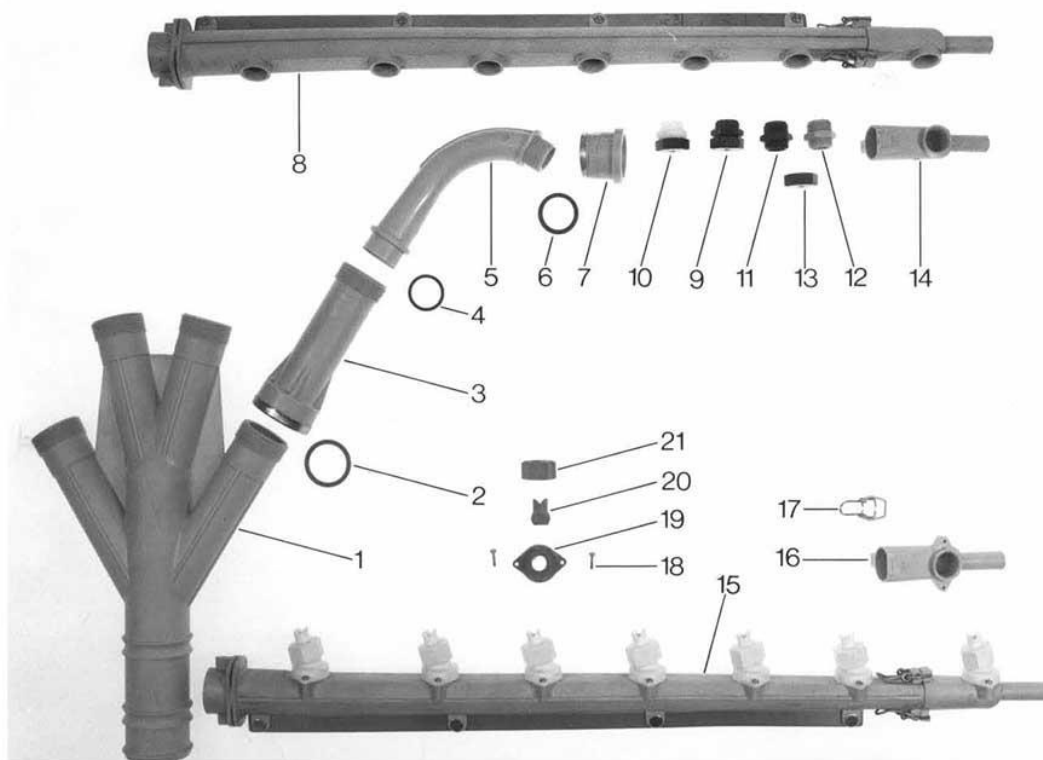


GS 62 / 63 / 64 / 65
Wash system I

Pos.	Designation	Part no.	62	63	64	65	Notes
n.p.	Pump filter	55 13 004	x				
n.p.	Pump filter with bow, round	55 13 005		x	x		old exececuton
n.p.	Pump filter, cornered, with flat bow	55 13 008		x	x	x	from 1/79
1	Suction basket	55 13 123		x	x	x	
n.p.	Suction basket	61002500	x				
2	Seal ø 85 x ø 60	27 09 005	x	x	x	x	
3	Pump nipple	02 30 001	x	x	x	x	
n.p.	Pump 2,7 kW, 220/380 V	55 14 011	x			2	GS 65 top wash system
n.p.	Pump 2,7 kW, 240/420 V	55 14 011	x			2	GS 65 top wash system
n.p.	Pump 2,0 kW, 220/380 V	55 14 190		x		2	GS 65 bottom ws
n.p.	Pump 2,0 kW, 240/420 V	55 14 190		x		2	GS 65 bottom ws
n.p.	Support for pump 2,0 kW	80000790					
n.p.	Pump 3,7 kW, 220/380 V	55 14 191			x		
n.p.	Pump 3,7 kW, 240/420 V	55 14 191			x		
n.p.	Hose clip 152-172	28 02 123				x	
4	Reinforced hose ø 80 x 80 mm	40 02 011		x	x	x	per meter
5	Cast-iron elbow	01 30 043		x	x	x	
n.p.	Rubber elbow	40 03 008		x	x		
6	Hose clip 81-105	28 02 116		x	x	x	
7	Pump hose ø 60 x 140 mm	40 02 007	x	x	x	x	per meter
8	Hose clip 62-82	28 02 120	x	x	x	x	
9	Copper asbestos ring ø 32 x 27	27 04 007	x	x	x	x	
10	Double nipple 1/2" BSP x 30	61003430	x	x	x	x	
11	Coupling nut 3/4"	29 07 203	x	x	x	x	
12	Seal 19,5 x 24	27 09 010	x	x	x	x	
13	Mediamat connection	29 06 524	x	x	x	x	
14	Reduction elbow	55 06 051	x				from 4/88
15	Pump hose ø 50 x 200 mm	40 02 006	x				per meter
16	Seal 33x26	27 01 003	x				
17	Extension piece 3/4" BSP x 38,5	35 01 019	x				
n.p.	Extension piece 3/4" BSP x 38,5	55 06 039	x				made of CNS
18	Distributor bottom part grey	35 01 018	x				
19	Coupling nut	35 01 004	x				from 3/87
20	O-ring 24 x 3	27 07 066	x				
21	Angle 3/4" BSP	35 01 005	x				
22	Wash arm cpl.	61000945	x				30° end pc.
n.p.	Wash arm empty (grey)	35 01 008	x				
23	O-ring 27 x 4	27 07 016	x				
24	Spring lock	28 04 040	x				
25	Wash jet grey/black	29 10 522	x				
26	Jet cap black	29 10 526	x	x	x		
27	Wash jet base grey	29 10 523	x	x	x		
28	Jet cap grey	29 10 524	x				
29	End piece for wash arm (grey)	35 01 009	x				
30	Spring lock	28 04 041	x	x	x	x	
n.p.	Wash jet black/black	29 10 527					

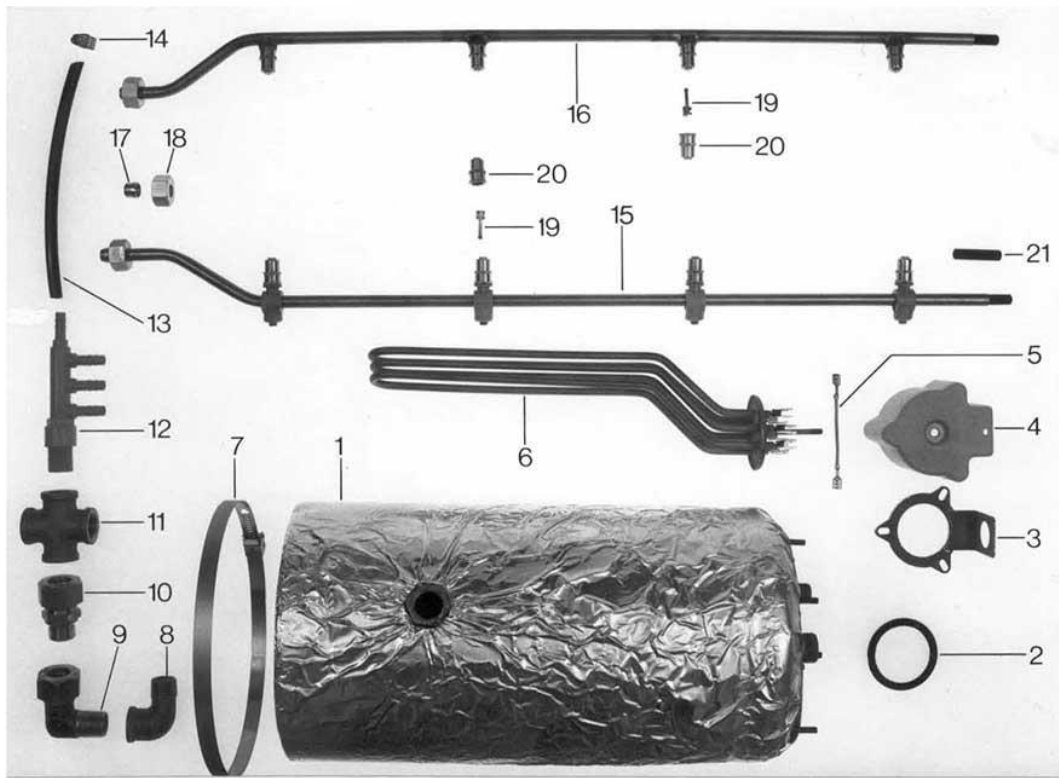
GS 62 / 63 / 64 / 65

Waschsystem II
Wash system II
Système de lavage II



GS 62 / 63 / 64 / 65

Nachspülsystem
Rinse system
Système de rinçage

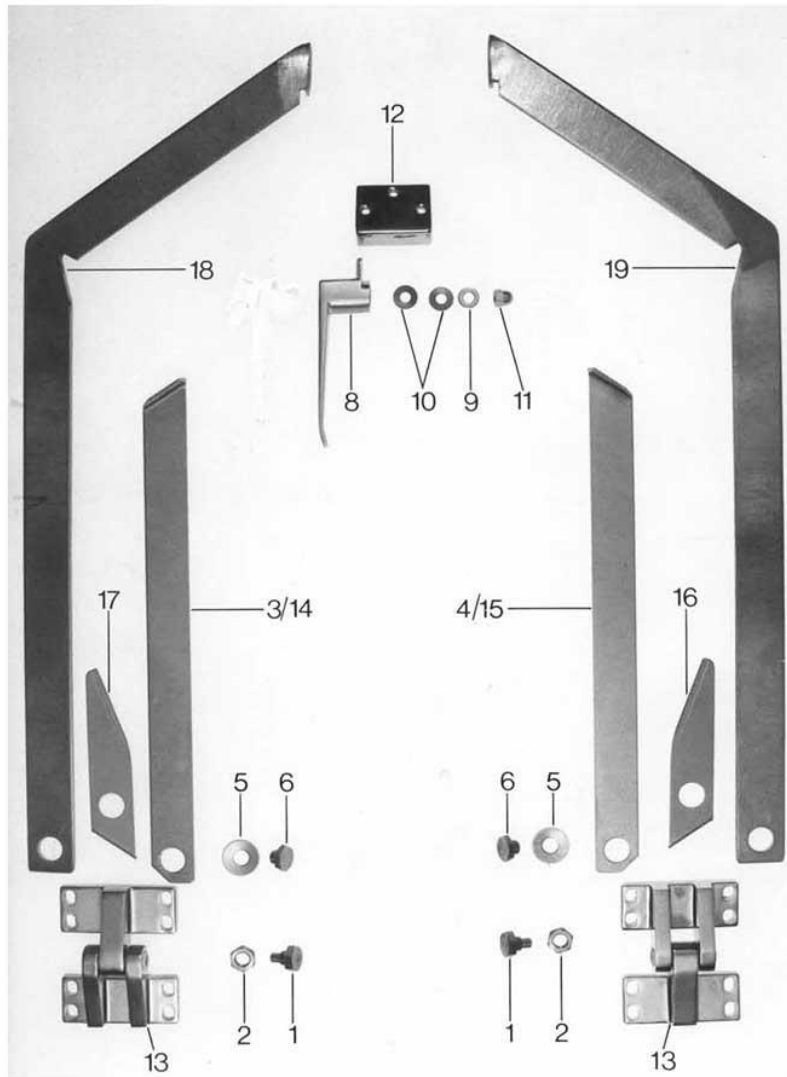


GS 62 / 63 / 64 / 65 Rinse system

Pos.	Designation	Part no.	62	63	64	65	Notes
1	Boiler 12 kW without heating element	55 12 023	x	x	x	x	370 long
n.p.	Boiler 12 kW, long	55 12 030				x	500 long
n.p.	Locking screw M 10	20 01 352	x	x	x	x	
n.p.	Seal 19 x 10	27 03 003	x	x	x	x	
2	O-Ring	27 07 069	x	x	x	x	
3	Clamping ring with angle	55 19 018	x	x	x	x	
4	Covering cap	31 03 014	x	x	x	x	
n.p.	Cable gland	31 10 040	x	x	x	x	
n.p.	Cable nut	31 10 041	x	x	x	x	
5	Link wire	31 23 088	x	x	x	x	
6	Heating element 6 kW 220/380 V	31 03 017	x	x	x	x	
n.p.	Heating element 6 kW 254/440 V	31 03 034	x	x	x	x	
n.p.	Heating element 6 kW 240/420 V	31 03 043	x	x	x	x	
n.p.	Heating element 6 kW 200/346 V	31 03 046	x	x	x	x	
7	Hose clip 182-202	28 02 121	x	x	x	x	
8	Angle 1/2" BSP	30 02 301		x	x	x	
n.p.	Angle 3/4"	30 02 102				x	
9	Angle screwing 18 x 3/4"	30 03 106		x	x		
10	Pipe screwing 18 x 1/2"	30 03 103		x	x	x	
n.p.	Pipe screwing 18 x 3/4"	30 03 105				x	
n.p.	Rinse connection	55 11 036	x				
11	Cross piece 1/2" BSP	30 05 100		x	x		
12	Distributor	35 01 023	x	x	x		
13	Tecalan pipe 10/8	40 01 002	x	x	x		per meter
n.p.	Hose angle ø 10 M 5	29 06 500	x	x	x		
n.p.	Double nipple 3/8" BSP x 32	30 11 200	x	x	x		
n.p.	Seal 24 x 17	27 09 009	x	x	x		
n.p.	Locking nut 3/8" BSP	30 09 200	x	x	x		
14	Hose clip S 11/9	28 02 102	x	x	x		
16	Rinse pipe 695 lg.	65002776		x	x	x	
n.p.	Rinse pipe straight 583 lg.	55 10 015	x				cut if necessary
17	Cutting ring ø 10	29 07 303	x	x	x	x	
18	Coupling nut 3/8" x 10,2	29 07 200	x	x	x	x	
n.p.	Hinged piece	55 10 008	x	x	x		
19	Spray jet swirl	65002764	x	x	x	x	
20	Spray jet cap	65002765	x	x	x	x	
21	Threaded pin M 9	20 30 502		x	x	x	
n.p.	Threaded pin M 10 x 40	20 30 501	x				
n.p.	Rinse pipe straight 715 lg.	55 10 012		x	x		until 5/73
n.p.	Rinse pipe cranked 565 lg.	55 10 018	x				until 71 Part made to order only!
n.p.	Rinse pipe 745 lg.	55 10 102		x	x	x	cranked, before 74
n.p.	Rinse manifold cpl.	55 09 003	x				until 6/85 Part made to order only!
n.p.	Rinse manifold cpl.	55 09 019	x				since 7/85
n.p.	Backflow restrictor	35 01 193	x				from 12/87
n.p.	Rinse arm cpl. 540 lg. straight	55 10 022	x				
n.p.	Water inlet	35 01 156	x				
n.p.	Tank inlet hose	40 03 051	x				
n.p.	Hose wrc 100 long	40 02 029	x				
n.p.	Hose clamp	28 02 108	x				

GS 62 / 63 / 64 / 65

Türe, Rahmen, Schienen
Door, frame, rails
Porte, cadre, barres

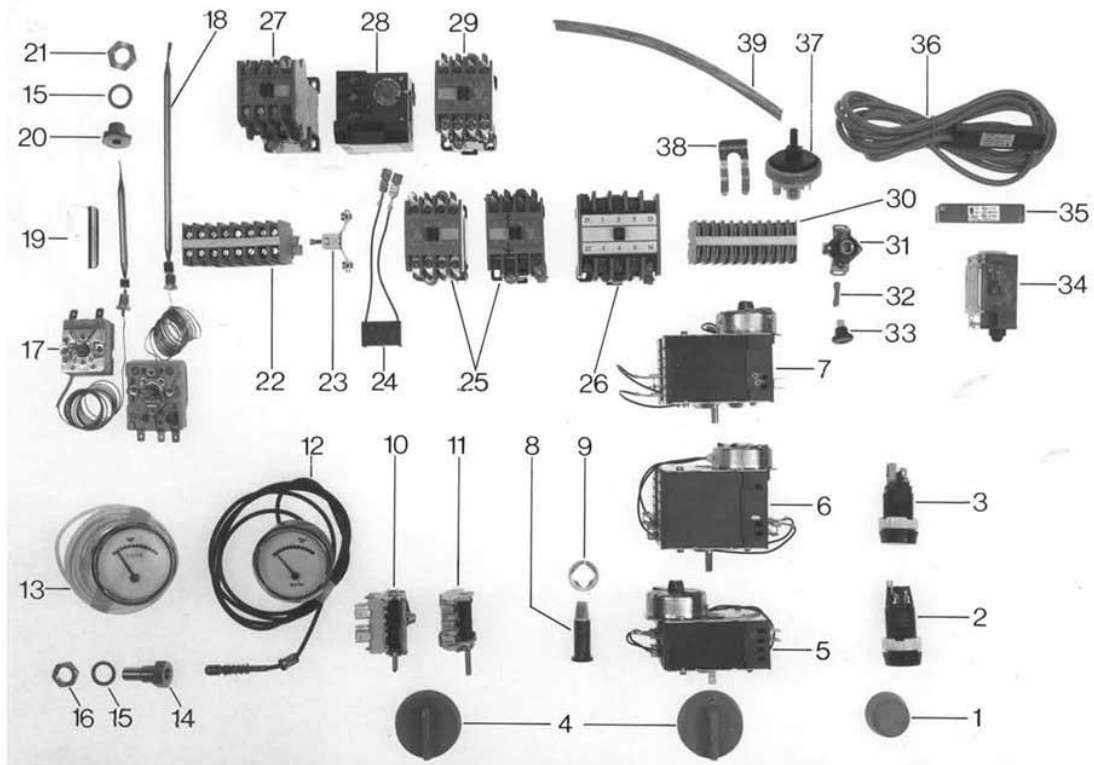


GS 62 / 63 / 64 / 65
Door, frame and rails

Pos.	Designation	Part no.	62	63	64	65	Notes
1	Cylinder screw M 12 x 23	20 19 304	x	x	x	x	
2	Hexagon nut M 12 x 1	21 09 300	x	x	x	x	
3	Arm brace left	55 15 064	x				as from Oct.74
4	Arm brace right	55 15 063	x				
5	Washer	55 15 061	x	x	x	x	
6	Counter-screw	20 19 305	x	x	x	x	
8	Door handle	28 05 042	x	x	x	x	
9	Washer ø 8,4 x 15 x 1,5	22 01 303	x	x	x	x	
10	Disk spring 20 x 8,2	22 10 300	x	x	x	x	
11	Dome head nut M 8	21 10 205	x	x	x	x	
12	Forelock	28 05 017	x	x	x	x	
13	Hinge	28 08 003		x	x	x	
14	Arm brace left	55 15 074		x	x		old execution until appr. '74
15	Arm brace right	55 15 062		x	x		
16	Latch right	55 15 079		x	x	x	
17	Latch left	55 15 078		x	x	x	
18	Arm brace left	55 15 076		x	x	x	
19	Arm brace right	55 15 077		x	x	x	
n.p.	Door cpl.	55 15 068	x				as from 03/75 Part made to order only!
n.p.	Door frame 66 cm wide	55 15 046	x				until 3/75, then 71 cm wide
n.p.	Door cpl.	55 15 067		x	x	x	Part made to order only!
n.p.	Door frame	55 15 069		x	x	x	Part made to order only!
n.p.	Castor	35 01 054	x				
n.p.	Hexagon nut M 6	21 02 304	x				
n.p.	Cylinder screw M 6 x 25	20 19 200	x				
20	Packing piece	28 08 004		x	x	x	for distance to hinge
n.p.	Rack stop 20 x 20 x 30 mm	35 01 110		x	x	x	
n.p.	Rubber buffer			x	x		no more available
n.p.	Screw M 5 x 55	20 01 331		x	x		
n.p.	Nut M 5	21 01 303		x	x		
n.p.	Screw M 8 x 30	20 01 304		x	x	x	
n.p.	Nut M 8	21 10 205		x	x	x	
n.p.	Door rack rail right cpl.	65000061	x				Part made to order only!
n.p.	Door rack rail left cpl.	65000062	x				Part made to order only!
n.p.	Container rack rail left	66000012	x				Part made to order only!
n.p.	Container rack rail right	66000011	x				Part made to order only!
n.p.	Protective plate for door	55 28 507 55 28 508	x				Part made to order only!

GS 62 / 63 / 64 / 65

**Elektrobestückung
Electrical parts
Matériel électrique**



GS 62 / 63 / 64 / 65 Electrical parts

Pos.	Designation	Part no.	62	63	64	65	Notes
1	Sealing cap transparent	31 24 208	x	x	x	x	
2	Pressure key button white	31 24 001	x	x	x	x	
3	Pressure switch black	31 24 002	x	x	x	x	
4	Button with spring	55 19 036	x	x	x	x	
5	Programme switch 305 sec.	31 05 106	x	x			only with time relay
6	Programme switch	31 05 120		x	x		
7	Programme switch	31 05 113				x	
8	Pilot light green	31 08 002	x	x	x	x	
9	Spring disk	31 08 029	x	x	x	x	
10	Control switch	31 24 008	x	x	x	x	
11	Rotary switch	31 24 033				x	
12	Remote thermometer boiler	32 01 017	x	x	x	x	
13	Remote thermometer tank	32 01 016	x	x	x	x	
14	Block connection	32 01 030	x	x	x	x	
15	Copper asbestos ring 14,2 x 19,9	27 09 036	x	x	x	x	
16	Locking nut M 14 x 1,5	31 25 002	x	x	x	x	
17	Capillary tube control 1750mm	31 25 013	x	x	x	x	tank
18	Capillary tube control 2100mm	31 25 015	x	x	x	x	boiler
19	Clip	55 19 011	x	x	x	x	
20	Gland	31 25 001	x	x	x	x	
21	Locking nut M 14 x 1	31 25 002	x	x	x	x	
22	Terminal strip	31 09 026		x	x	x	4 sections no more available
n.p.	Terminal strip 4 sections	55 19 071	x				
23	Earth terminal	31 09 059	x	x	x	x	
24	RC link 0,27 µF	61002141	x	x	x	x	
25	Contactora SLA 7	31 04 161	x	x	x	x	
26	Contactora SLA 16	31 04 162				x	
27	Contactora SLA 7	31 04 025		x			
28	Time relay	31 04 051		x			
29	Contactora SLA 12	31 04 162		x	x	x	
30	Terminal strip 13 sections	55 19 070	x	x	x	x	
31	Fuse base	31 11 057	x	x	x	x	
32	Fuse base 6,3 Amp.	31 11 043	x	x	x	x	
n.p.	Fuse base 10 Amp.	31 11 093	x	x	x	x	
33	Screw cap	31 11 048	x	x	x	x	
34	Limit switch	31 24 216	x				
35	Switching magnet	31 24 101		x	x	x	
36	Magnetic switch	31 24 100		x	x	x	
37	Pressure switch green	31 26 003	x				
n.p.	Pressure switch black	31 26 017		x	x		
n.p.	Screw for fixing angle	31 26 017				x	
38	Clamping spring	31 26 001	x	x	x	x	
39	Detergent hose NW 5 x 3	40 01 024	x	x	x	x	per meter
n.p.	Hose clip S 9/9	28 02 348	x	x	x	x	
n.p.	Screen for switchcase	28 04 064			x		no more available
n.p.	Level switch yellow	31 26 017				x	
n.p.	Level switch	31 26 011					
n.p.	Switchcase cover	61003357	x				
n.p.	O-ring for limit switch	27 07 013					
n.p.	Time relay	31 04 082	x				
n.p.	Program switch	31 05 114					GS 63 M